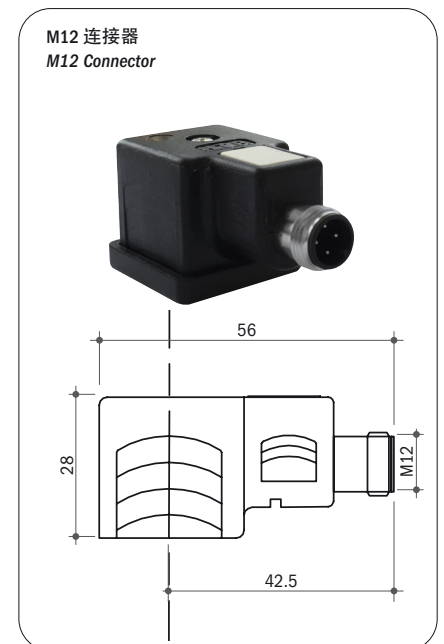
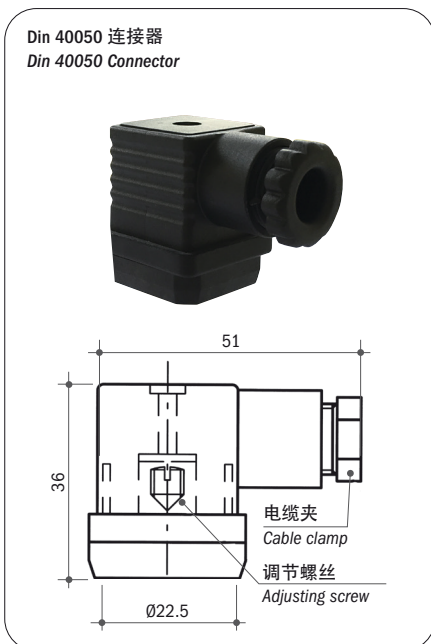


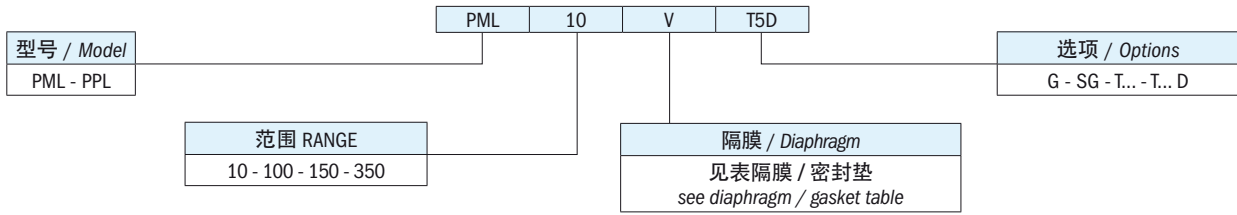
最大电压	250 Vca	Max voltage	250 Vac
电流	3A (电阻), 2A (感性)	Current	3A (resistive), 2A (inductive)
电转换触点	SPDT	C/O contact	SPDT
最大循环速率	100/1' (膜片式)	Max. cycle rate	100/min. (diaphragm type)
最大循环速率	60/1' (活塞式)	Max. cycle rate	60/min. (piston type)
机械寿命	10 ⁶ 循环速率	Mechanical life	10 ⁶ operations
防护	IP 65 DIN 40050 见第 8 页	Protection	IP 65 DIN 40050 see page 8
固定滞后	小于 30% 的设定值	Fixed hysteresis	≤ 30% of set-point value
连接器	PG09 - DIN 40050	PG09 connector	DIN 40050
隔膜	NBR	Diaphragm	NBR
本体	阳极氧化铝	Body	Anodized aluminium
法兰材料	镀锌钢	Flange material	AVP steel

可用电气连接 / AVAILABLE ELECTRICAL CONNECTIONS

防护等级 IP 65 / IP 65 PROTECTION



如何订购 / HOW TO ORDER



订购信息 / ORDERING INFORMATION

PML...	带单刀双掷触点的可调式压力控制器 - 隔膜式		
PPL...	带单刀双掷触点的可调式压力控制器 - 活塞式		
可用隔膜 / 密封垫	N	丁腈橡胶(标准)	-5°C...+90°C
	NT	HNBR	-25°C...+140°C
	V	FKM	-5°C...+90°C
	S	Silicone	-30°C...+120°C
选项	G	用于低电流的镀金触点	
	T...	调节向上设定点到所需值	
	T...D	调节向下设定点到所需值	
	L24	LED 连接器 24 V	
	L110	LED 连接器为 110 V	
	L220	LED 连接器为 220 V	
	SG	脱脂应用于氧气	

PML...	Diaphragm pressure controller with SPDT contacts		
PPL...	Piston pressure controller with SPDT contacts		
Available diaphragm/ Gasket	N	NBR (standard)	-5°C to +90°C
	NT	HNBR	-25°C to +140°C
	V	FKM	-5°C to +90°C
	S	Silicon	-30°C to +120°C
Options	G	Gold-plated contacts for low current	
	T...	Set-point adjustment rising at the required value	
	T...D	Set-point adjustment falling at the required value	
	L24	Connector with LED 24 V	
	L110	Connector with LED 110 V	
	L220	Connector with LED 220 V	
	SG	Degreased for applications with oxygen	

遵守2014/30/CE号指令。

IN COMPLIANCE WITH DIRECTIVE 2014/30/CE.

一般规格 / GENERAL SPECIFICATIONS








型号 MODEL	调整的相对压力范围 ADJUSTMENT RELATIVE PRESSURE RANGE bar	尺寸 DIMENSIONS mm			25°C 时公差 TOLERANCE AT 25°C bar	最大静压 MAX. STATIC PRESSURE bar	配置 EXECUTION
		A	B	C			
PML10	0,5 - 10	70	12	G 1/4 阴螺纹 female	± 0,2	300	NBR 膜片 Diaphragm
PML100	10 - 100	70	12	G 1/4 阴螺纹 female	± 1	300	
PPL150	30 - 150	70	15	G 1/4 阴螺纹 female	± 7	600	缸活塞 Steel piston
PPL350	150 - 350	70	25	G 1/4 阴螺纹 female	± 7	600	

ELETTROTEC保留未经事先通知更改产品技术数据或暂停生产的权利。该压力控制器触点受到强烈冲击或震动时可能会损坏。用户有责任对我们的产品是否适合特定应用进行测试，例如，材料的兼容性测试。仅在现场试验中得到证实的使用才是适当的。该样本中的技术信息基于产品开发过程中的测试和经验值的积累，他们可能并不适用于所有情况。

Elettrotec reserves the right to technical data of change to the products or halt production without prior notice. The pressure controller contacts can be damaged when subject to strong shocks or high vibration. It is the responsibility of the user to test the suitability of our products for the particular application, for example, the verification of material compatibility. The use may only be appropriate if proven in field tests. The technical information in this catalogue are based on tests made during product development and based on empirically gathered values. They may not be applicable in all cases.

压力控制器 / PRESSURE CONTROLLERS

电气保护 / ELECTRIC PROTECTIONS

		PMN	PMM	PM250	MS	PS	PSM PSP	PMC PMC...D	PPC PPCF	PPC...D PPCF...D	PML	PPL	PSK	MPS	PHP	PHC
页 / Page		9	11	13	15	15	17...26	27	27	29	31	31	33	35	37	39
电气保护IP54 / IP 54 electric protection	保护帽1 / CAP 1 	●	●	●											●	
	保护帽10 / CAP 10 	●	●												●	
	保护帽12 / CAP 12 						●									
	保护帽16 / CAP 16 				●	●								●		
	保护帽30 / CAP 30 															●
	保护帽31 / CAP 31 															●
电气保护IP65 / IP 65 electric protection	保护帽3 / CAP 3 	●	●	●											●	
	保护帽13 / CAP 13 				●	●										
	Din 40050 连接器 / Din 40050 Connector 						●	●	●	●	●	●	●	●		
电气保护IP67 / IP 67 electric protection	保护帽14+飞线+连接器 Cap 14 + Flying Leads + Connector 	●		●	●	●									●	
	M12连接器 / M12 Connector 				●	●	●	●	●	●	●	●	●	●		
	Deutsch接头 													●		
电气数据 / ELECTRIC DATA		PMN	PMM	PM250	MS	PS	PSM PSP	PMC PMC...D	PPC PPCF	PPC...D PPCF...D	PML	PPL	PSK	MPS	PHP	PHC
电源 / Power supply	12 Vca/cc	●	●	●	●	●	●	●	●	●	●	●	●	●	●	●
	24 Vca/cc	●	●	●	●	●	●	●	●	●	●	●	●	●	●	●
	48 Vca/cc	●	●	●	●	●	●	●	●	●	●	●	●	●	●	●
	110 Vca/cc			●	●	●	●	●	●	●	●	●	●	●	●	●
	220 Vca/cc			●	●	●	●	●	●	●	●	●	●	●	●	●
	250 Vca/cc			●	●	●	●	●	●	●	●	●	●	●	●	●
最大电流 / Max. current	< 30 mA	●	●	●	●	●	●	●	●	●	●	●	●	●		
	0,5 A	●	●	●											●	
	3 A							●	●	●	●	●	●			
	4 A															●
	6 A				●	●	●									
	7 A													●		
	8 A															●
	10 A							●	●	●	●	●	●			
15 A															●	
镀银触点 / Silver plated contacts	●	●	●	●	●	●	●	●	●	●	●	●	●	●	●	●
镀金触点 / Gold plated contacts	●	●	●	●	●	●	●	●	●	●	●	●	●	●	●	●
固定复位差 / Fixed Hysteresis	●	●	●	●	●	●	●	●	●	●	●	●	●	●	●	●
可调复位差 / Adjustable Hysteresis						●										
本体 24AF / Body 24 AF	●	●	●	●	●						●	●		●	●	
本体 27AF / Body 27 AF							●									

ELETTROTEC保留未经事先通知更改产品技术数据或暂停生产的权利。该压力控制器触点受到强烈冲击或震动时可能会被损坏。用户有责任对我们的产品是否适合特定应用进行测试，例如，材料的兼容性测试。仅在现场试验中得到证实的使用才是适当的。该样本中的技术信息基于产品开发过程中的测试和经验值的积累，他们可能并不适用于所有情况。

Elettrotec reserves the right to technical data of change to the products or halt production without prior notice. The pressure controller contacts can be damaged when subject to strong shocks or high vibration. It is the responsibility of the user to test the suitability of our products for the particular application, for example, the verification of material compatibility. The use may only be appropriate if proven in field tests. The technical information in this catalogue are based on tests made during product development and based on empirically gathered values. They may not be applicable in all cases.