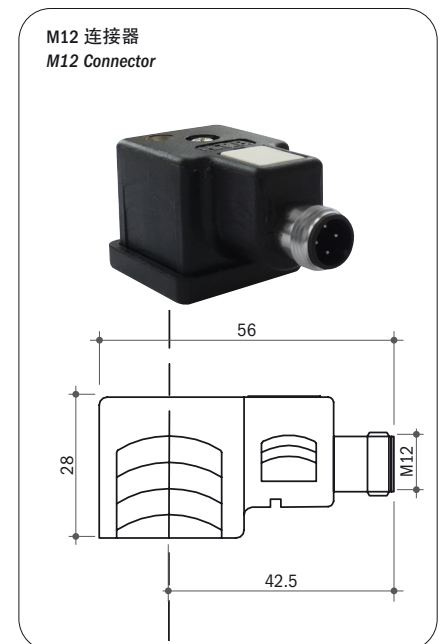
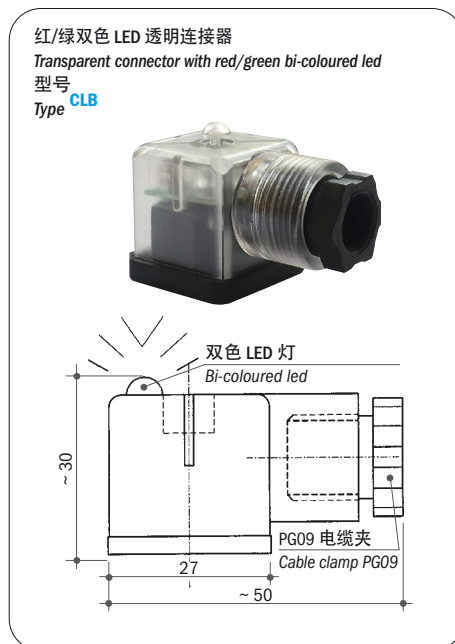
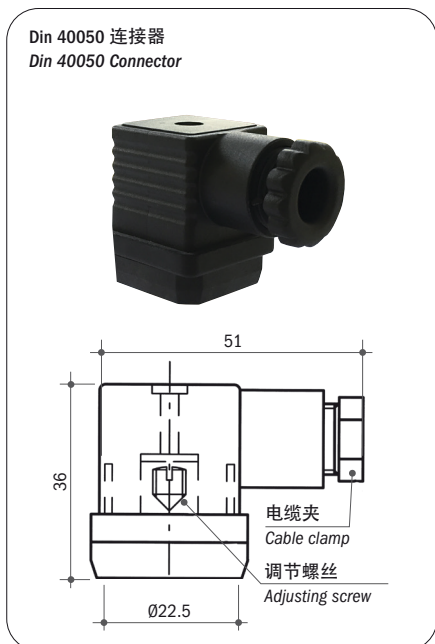


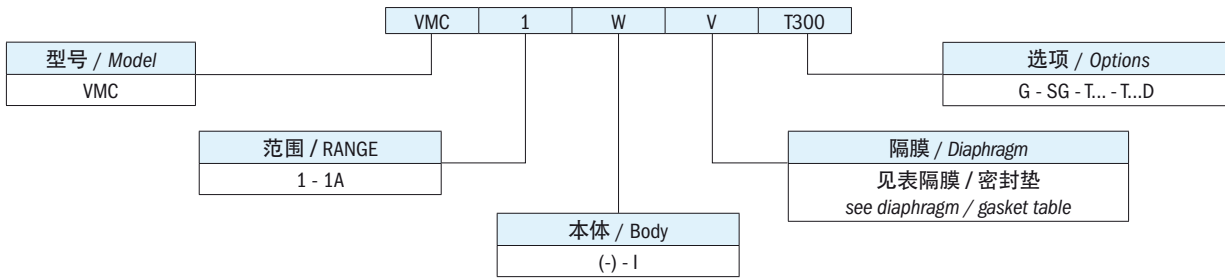
最大电压	250 Vca	Maximum voltage	250 Vac
电流	3A (电阻), 2A (感性)	Current	3A (resistive), 2A (inductive)
可调范围	-200 ÷ -900 mbar	Adjusting range	-200 to -900 mbar
最大静压	20 bar	Max. static pressure	20 bar
固定滞后	≤ 30% 设定点	Fixed hysteresis	≤ 30% of set-point
温度范围	-5°C...+80°C	Temperature range	-5°C to +80°C
防护	IP65 - DIN 40050 见第 54 页	Protection	IP 65 - DIN 40050 see page 54
电气连接	PG09 DIN 43650	Electrical connection	PG09 DIN 43650
最大循环速度	100/1'	Max cycle rate	100/min.
机械寿命	10 <sup>6</sup> 循环	Mechanical life	10 <sup>6</sup> operation
本体	阳极氧化铝	Body	Anodized aluminium
法兰材料	镀锌钢	Flange material	Zinc plated steel

### 可用电气连接 / AVAILABLE ELECTRICAL CONNECTIONS

#### 防护等级 IP 65 / IP 65 PROTECTION



### 如何订购 / HOW TO ORDER



### 订购信息 / ORDERING INFORMATION

VMC	带单刀双掷触点的可调式真空控制器		
可用隔膜 / 密封垫	N	丁腈橡胶(标准)	-5°C...+90°C
	NT	HNBR	-25°C...+140°C
	V	FKM	-5°C...+90°C
	E	EPDM	-20°C...+110°C
	S	硅胶	-30°C...+120°C
	C	Neoprene	-10°C...+90°C
选项	G	用于低电流的镀金触点	
	T...	调节向上设定点到所需值	
	T...D	调节向下设定点到所需值	
	-	标准本体	
	I	AISI 303不锈钢本体	
	SG	脱脂应用于氧气	

遵守2014/30/CE号指令。

VMC	Diaphragm vacuum controller with SPDT contacts		
Available diaphragm/ Gasket	N	NBR	-5°C to +90°C
	NT	HNBR	-25°C to +140°C
	V	FKM	-5°C to +90°C
	E	EPDM	-20°C to +110°C
	S	Silicone	-30°C to +120°C
	C	Neoprene	-10°C to +90°C
Options	G	Gold-plated contacts for low current	
	T...	Set-point adjustment rising at the required value	
	T...D	Set-point adjustment falling at the required value	
	-	Standard body	
	I	AISI 303 stainless steel	
	SG	Degreased for applications with oxygen	

IN COMPLIANCE WITH DIRECTIVE 2014/30/CE.

### 一般规格 / GENERAL SPECIFICATIONS










型号 MODEL	调整的相对压力范围 ADJUSTMENT RELATIVE PRESSURE RANGE mbar	尺寸 DIMENSIONS mm				25°C 时公差 TOLERANCE AT 25°C mbar	最大静压 MAX. STATIC PRESSURE bar
		A	B	C	D		
VMC 1	-200 / -500	46	12	G1/4	78	± 50	20
VMC 1A	-500 / -900	46	12	G1/4	78		
VMC 1I	-200 / -500	46	12	G1/4	78		
VMC 1AI	-500 / -900	46	12	G1/4	78		

ELETTROTEC保留未经事先通知更改产品技术数据或暂停生产的权利。该压力控制器触点受到强烈冲击或震动时可能会被损坏。用户有责任对我们的产品是否适合特定应用进行测试，例如，材料的兼容性测试。仅在现场试验中得到证实的使用才是适当的。该样本中的技术信息基于产品开发过程中的测试和经验值的积累，他们可能并不适用于所有情况。

Elettrotec reserves the right to technical data of change to the products or halt production without prior notice. The pressure controller contacts can be damaged when subject to strong shocks or high vibration. It is the responsibility of the user to test the suitability of our products for the particular application, for example, the verification of material compatibility. The use may only be appropriate if proven in field tests. The technical information in this catalogue are based on tests made during product development and based on empirically gathered values. They may not be applicable in all cases.

## 真空控制器 / VACUUM CONTROLLERS

### 电气保护 / ELECTRIC PROTECTIONS

		VCN	VCM	VS	VSM	VMC
<b>页 / Page</b>		55	57	59	61	63
电气保护IP54 / IP 54 electric protection	保护帽1 / CAP 1 	●	●			
	保护帽10 / CAP 10 	●	●			
	保护帽12 / CAP 12 				●	
	保护帽16 / CAP 16 			●		
电气保护IP65 / IP 65 electric protection	保护帽3 / CAP 3 		●			
	保护帽13 / CAP 13 			●		
	Din40050连接器 / Din 40050 Connector 				●	●
电气保护IP67 / IP 67 electric protection	保护帽14+飞线+连接器 Cap 14 + Flying Leads + Connector 			●		
	M12连接器 / M12 Connector 			●		

### 技术参数 / TECHNICAL DATA

		VCN	VCM	VS	VSM	VMC
电源 / Power supply	12 Vca/cc	●	●	●	●	●
	24 Vca/cc	●	●	●	●	●
	48 Vca/cc	●	●	●	●	●
	110 Vca/cc			●	●	●
	220 Vca/cc			●	●	●
	250 Vca/cc			●	●	●
最大电流 / Max. current	< 30 mA	●	●	●	●	●
	0,5 A	●	●			
	3 A					●
	6 A			●	●	
镀银触点 / Silver plated contacts		●	●	●	●	●
镀金触点 / Gold plated contacts		●	●	●	●	●
固定复位差 / Fixed Hysteresis		●	●	●		●
可调复位差 / Adjustable Hysteresis					●	
本体 24AF / Body 24 AF		●	●	●		
本体 27AF / Body 27 AF					●	

ELETTROTEC保留未经事先通知更改产品技术数据或暂停生产的权利。该压力控制器触点受到强烈冲击或震动时可能会被损坏。用户有责任对我们的产品是否适合特定应用进行测试，例如，材料的兼容性测试。仅在现场试验中得到证实的使用才是适当的。该样本中的技术信息基于产品开发过程中的测试和经验值的积累，他们可能并不适用于所有情况。

Elettrotec reserves the right to technical data of change to the products or halt production without prior notice. The pressure controller contacts can be damaged when subject to strong shocks or high vibration. It is the responsibility of the user to test the suitability of our products for the particular application, for example, the verification of material compatibility. The use may only be appropriate if proven in field tests. The technical information in this catalogue are based on tests made during product development and based on empirically gathered values. They may not be applicable in all cases.