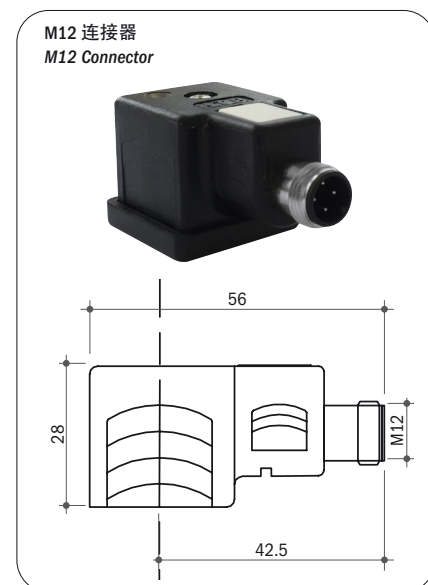
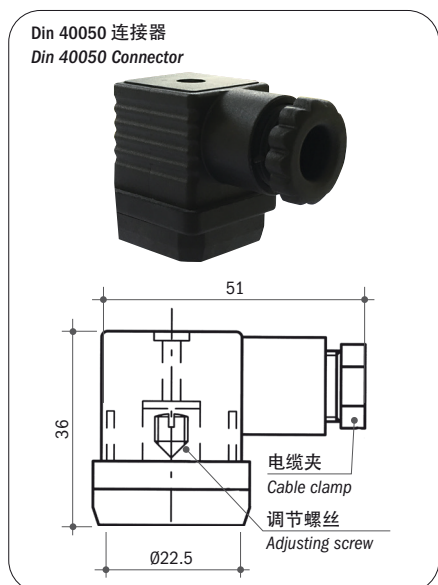


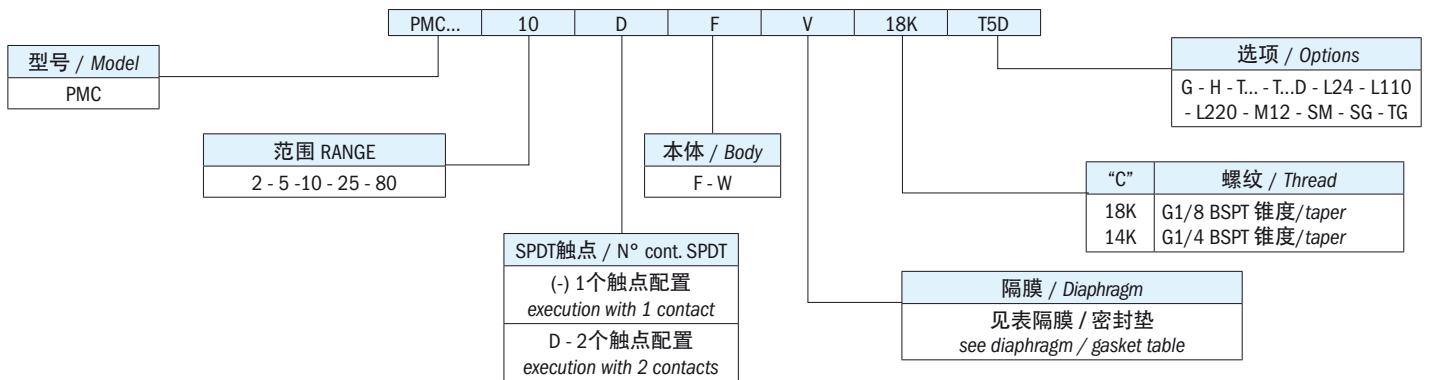
最大电压	250 Vca	Maximum voltage	250 Vac
工作电压	220 Vca	Working voltage	220 Vac
电流	3A (电阻性), 2A (感性)	Current	3A (resistive), 2A (inductive)
电触点	SPDT	C/O contact	SPDT
最大循环速率 - 膜片	100/1'	Max cycle rate - diaphragm type	100/min.
防护	IP 65 - DIN 40050 见第8页	Protection	IP 65 - DIN 40050 see page 8
连接器	PG09 - DIN 43650	PG09 connector	DIN 43650
本体	阳极氧化铝	Body	Anodized aluminium
25°C时的最大固定滞后	设定点的30% (或满程量的10%)	Max fixed hysteresys at 25°C	30% of set-point (or 10% FS)

### 可用电气连接 / AVAILABLE ELECTRICAL CONNECTIONS

#### 防护等级 IP 65 / IP 65 PROTECTION



### 如何订购 / HOW TO ORDER



### 订购信息 / ORDERING INFORMATION

<b>PMC...</b>	带单刀双掷触点的活塞式压力控制器
<b>PMC...D</b>	带2个单刀双掷触点的活塞式压力控制器
法兰材料 Ch30	F 镀锌钢
(见一般规格)	W 所有型号均可按需配置AISI不锈钢
可用螺纹	18K G1/8 BSPT 锥度 14K G1/4 BSPT 锥度
可用膜片/垫圈	N 丁腈橡胶 (标准) -5°C 到 +90°C NT 氯化丁腈橡胶 -25°C 到 +140°C V 氟橡胶 -5°C 到 +90°C S 硅胶 -30°C 到 +120°C C 氯丁橡胶 (-10°C 到 +90°C) E 三元乙丙橡胶 (-20°C 到 +110°C)
选项	G 用于低电流的镀金触点 H 微动开关为 10 A T... 调节向上设定点到所需值 T...D 调节向下设定点到所需值 L24 LED 连接器 24 V L110 LED 连接器 110V L220 LED 连接器 220 V M12 带M12连接器 SM 压力传感缓冲器 SG 脱脂应用于氧气 TG 气体应用测试

<b>PMC...</b>	Pressure switch with SPDT contacts	
<b>PMC...D</b>	Pressure switch with 2 SPDT contacts	
Flange material Ch30	F	Zinc plated
(see general specifications)	W	S.S. 316 on request for all models
Available threads	18K	G1/8 BSPT taper
	14K	G1/4 BSPT taper
Available diaphragm/ Gasket	N	NBR (standard) -5°C to +90°C
	NT	HNBR -25°C to +140°C
	V	FKM -5°C to +90°C
	S	Silicon -30°C to +120°C
	C	Neoprene (-10°C to +90°C)
	E	EPDM (-20°C to +110°C)
Options	G	Gold-plated contacts for low current
	H	Microswitch for 10A
	T...	Set-point adjustment rising at the required value
	T...D	Set-point adjustment falling at the required value
	L24	Connector with LED 24 V
	L110	Connector with LED 110 V
	L220	Connector with LED 220 V
	M12	Connector with M12
	SM	Snubber for pressure picks
	SG	Degreased for applications with oxygen
	TG	Tested for applications with gas

### 一般规格 / GENERAL SPECIFICATIONS








型号 MODEL	调整的相对压力范围 ADJUSTMENT RELATIVE PRESSURE RANGE bar	尺寸 DIMENSIONS mm			25°C 时公差 TOLERANCE AT 25°C bar	最大静压 MAX. STATIC PRESSURE bar	配置 EXECUTION
		A	B	D			
PMC 2	0,2 - 2	44	10	75	± 0,15	350	膜片 Diaphragm
PMC 5	0,5 - 5						
PMC10	1 - 10						
PMC25	5 - 25						
PMC80	25 - 80				± 1,0		

ELETTROTEC保留未经事先通知更改产品技术数据或暂停生产的权利。该压力控制器触点受到强烈冲击或震动时可能会损坏。用户有责任对我们的产品是否适合特定应用进行测试，例如，材料的兼容性测试。仅在现场试验中得到证实的使用才是适当的。该样本中的技术信息基于产品开发过程中的测试和经验值的积累，他们可能并不适用于所有情况。

Elettrotec reserves the right to technical data of change to the products or halt production without prior notice. The pressure controller contacts can be damaged when subject to strong shocks or high vibration. It is the responsibility of the user to test the suitability of our products for the particular application, for example, the verification of material compatibility. The use may only be appropriate if proven in field tests. The technical information in this catalogue are based on tests made during product development and based on empirically gathered values. They may not be applicable in all cases.

## 压力控制器 / PRESSURE CONTROLLERS

### 电气保护 / ELECTRIC PROTECTIONS

		PMN	PMM	PM250	MS	PS	PSM PSP	PMC PMC...D	PPC PPCF	PPC...D PPCF...D	PML	PPL	PSK	MPS	PHP	PHC
<b>页 / Page</b>		9	11	13	15	15	17...26	27	27	29	31	31	33	35	37	39
电气保护IP54 / IP 54 electric protection	保护帽1 / CAP 1 	●	●	●											●	
	保护帽10 / CAP 10 	●	●												●	
	保护帽12 / CAP 12 						●									
	保护帽16 / CAP 16 				●	●								●		
	保护帽30 / CAP 30 															●
	保护帽31 / CAP 31 															●
电气保护IP65 / IP 65 electric protection	保护帽3 / CAP 3 	●	●	●											●	
	保护帽13 / CAP 13 				●	●										
	Din 40050 连接器 / Din 40050 Connector 						●	●	●	●	●	●	●	●		
电气保护IP67 / IP 67 electric protection	保护帽14+飞线+连接器 Cap 14 + Flying Leads + Connector 	●		●	●	●									●	
	M12连接器 / M12 Connector 				●	●	●	●	●	●	●	●	●	●		
	Deutsch接头 													●		
<b>电气数据 / ELECTRIC DATA</b>		PMN	PMM	PM250	MS	PS	PSM PSP	PMC PMC...D	PPC PPCF	PPC...D PPCF...D	PML	PPL	PSK	MPS	PHP	PHC
电源 / Power supply	12 Vca/cc	●	●	●	●	●	●	●	●	●	●	●	●	●	●	●
	24 Vca/cc	●	●	●	●	●	●	●	●	●	●	●	●	●	●	●
	48 Vca/cc	●	●	●	●	●	●	●	●	●	●	●	●	●	●	●
	110 Vca/cc			●	●	●	●	●	●	●	●	●	●	●	●	●
	220 Vca/cc			●	●	●	●	●	●	●	●	●	●	●	●	●
	250 Vca/cc			●	●	●	●	●	●	●	●	●	●	●	●	●
最大电流 / Max. current	< 30 mA	●	●	●	●	●	●	●	●	●	●	●	●	●		
	0,5 A	●	●	●											●	
	3 A							●	●	●	●	●	●			
	4 A															●
	6 A				●	●	●									
	7 A													●		
	8 A															●
	10 A							●	●	●	●	●	●			
15 A															●	
镀银触点 / Silver plated contacts	●	●	●	●	●	●	●	●	●	●	●	●	●	●	●	●
镀金触点 / Gold plated contacts	●	●	●	●	●	●	●	●	●	●	●	●	●	●	●	●
固定复位差 / Fixed Hysteresis	●	●	●	●	●	●	●	●	●	●	●	●	●	●	●	●
可调复位差 / Adjustable Hysteresis						●										
本体 24AF / Body 24 AF	●	●	●	●	●						●	●		●	●	
本体 27AF / Body 27 AF						●										

ELETTROTEC保留未经事先通知更改产品技术数据或暂停生产的权利。该压力控制器触点受到强烈冲击或震动时可能会被损坏。用户有责任对我们的产品是否适合特定应用进行测试，例如，材料的兼容性测试。仅在现场试验中得到证实的使用才是适当的。该样本中的技术信息基于产品开发过程中的测试和经验值的积累，他们可能并不适用于所有情况。

Elettrotec reserves the right to technical data of change to the products or halt production without prior notice. The pressure controller contacts can be damaged when subject to strong shocks or high vibration. It is the responsibility of the user to test the suitability of our products for the particular application, for example, the verification of material compatibility. The use may only be appropriate if proven in field tests. The technical information in this catalogue are based on tests made during product development and based on empirically gathered values. They may not be applicable in all cases.