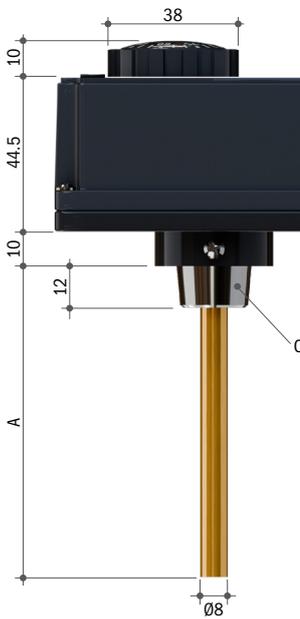
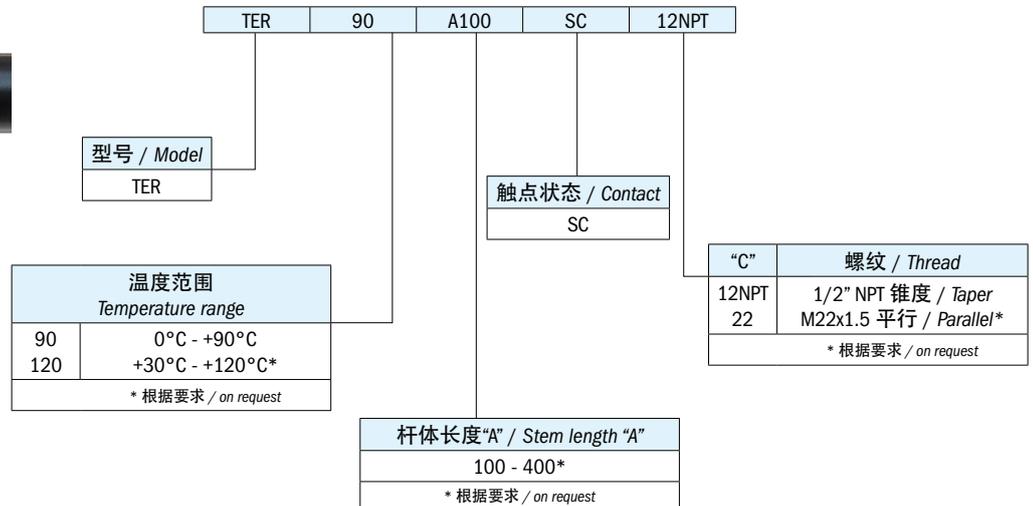




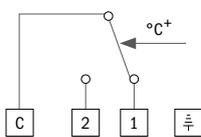
温度范围	0°C 至 +90°C	Temperature range	0°C to +90°C
设定点公差	±5°C	Set-point tolerance	±5°C
最大复位差	6°C	Max. differential DT	6°C
电气保护	IP40	Electrical protection	IP40
绝缘等级	I	Insulation class	I
温度变化率	<1°C/分钟	Temperature rate of change	<1°C/min
最高环境温度	80°C	Max. environment temperature	80°C
焊泡最高温度	125°C	Max. sensing bulb temperature	125°C
开关容量	C-1: 10 (2.5) A / 250 Vac C-2: 6 (2.5) A / 250 Vac	Switch rating	C-1: 10 (2.5) A / 250 Vac C-2: 6 (2.5) A / 250 Vac
最大压力	10 bar	Max. pressure	10 bar
法兰材料	黄铜	Flange material	Brass
本体	塑料	Body material	Plastic material



如何订购 / HOW TO ORDER



电气图 ELECTRICAL DIAGRAM



订购信息 / ORDERING INFORMATION

TER	浸入式可调温度控制器	TER	Immersion adjustable thermostat
温度范围	90 0°C 至 +90°C 120 +30°C 至 +120°C (根据要求)	Temperature range	90 0°C to +90°C 120 +30°C to +120°C on request
触点状态	SC 单刀双掷转换触点	Contact type	SC Change over (snap action) SPDT
杆体长度 "A"	100 mm 400 mm 根据要求	Stem length "A"	100 mm 400 mm on request
触点状态	SC 单刀双掷转换触点	Contact type	SC Change over (snap action) SPDT
可用螺纹 "C"	12NPT 1/2" NPT 锥度 22 M22x1.5 平行 (根据要求)	Available threads "C"	12NPT 1/2" NPT taper 22 M22x1.5 parallel on request

Elettrotec保留未经事先通知更改产品技术数据或暂停生产的权利。该温度控制器触点受到强烈冲击或震动时可能会被损坏。用户有责任对我们的产品是否适合特定应用进行测试，例如，材料的兼容性测试。仅在现场试验中得到证实的使用才是适当的。该样本中的技术信息基于产品开发过程中的测试和经验值的积累，他们可能并不适用于所有情况。

Elettrotec reserves the right to technical data of change to the products or halt production without prior notice. The temperature controller contacts can be damaged when subject to strong shocks or high vibration. It is the responsibility of the user to test the suitability of our products for the particular application, for example, the verification of material compatibility. The use may only be appropriate if proven in field tests. The technical information in this catalogue are based on tests made during product development and based on empirically gathered values. They may not be applicable in all cases.

温度控制器 / TEMPERATURE CONTROLLERS

电气保护 ELECTRIC PROTECTIONS

页 / Page	NTB	TBF evo	NTBC	EBT	EBC	TBLFPA TBLTPA	TCR	TBG	TER
<p>电气保护IP54 <i>IP 54 electric protection</i></p> <p>保护帽1 CAP. 1</p> 		●							
<p>保护帽10 CAP. 10</p> 		●							
<p>电气保护IP65 <i>IP 65 electric protection</i></p> <p>Din 40050 连接器 Din 40050 connector</p> 	●		●	●	●	●			
<p>电气保护IP67 <i>IP 67 electric protection</i></p> <p>飞线+连接器和IP67电气保护 (+保护帽CAP14仅适用于TBF evo) Flying leads + connector and IP 67 electric protection (+ CAP.14 only for TBF evo)</p> 		●					●	●	
<p>M12连接器 / M12 connector</p> 	●		●	●	●	●			

Elettrotec保留未经事先通知更改产品技术数据或暂停生产的权利。该温度控制器触点受到强烈冲击或震动时可能会被损坏。用户有责任对我们的产品是否适合特定应用进行测试，例如，材料的兼容性测试。仅在现场试验中得到证实的使用才是适当的。该样本中的技术信息基于产品开发过程中的测试和经验值的积累，他们可能并不适用于所有情况。

Elettrotec reserves the right to technical data of change to the products or halt production without prior notice. The temperature controller contacts can be damaged when subject to strong shocks or high vibration. It is the responsibility of the user to test the suitability of our products for the particular application, for example, the verification of material compatibility. The use may only be appropriate if proven in field tests. The technical information in this catalogue are based on tests made during product development and based on empirically gathered values. They may not be applicable in all cases.